

# ALPHA Miniature Potentiometers



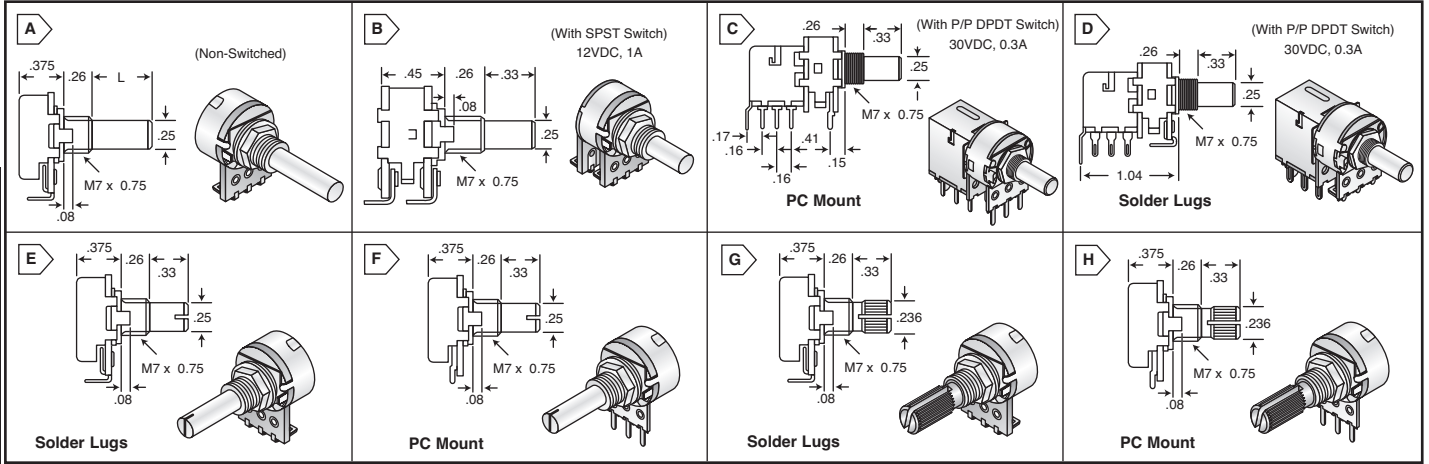
This product is RoHS compliant.

## ALPHA 16MM MINIATURE CARBON COMPOSITION

- Rated voltage: 200VDC linear; 150V audio
- Rotation angle: 300°±5°
- Insulation resistance: >100MΩ
- Breakdown voltage: 500VAC for 1 minute
- Tolerance: <1M: ±20%, ≥1M: ±30%

Each supplied with one hex nut and one flat washer

RoHS Compliant DIMENSIONS: in



Potentiometers

Alpha

### Linear & Audio Taper

- Shaft (L): .53"
- Linear Taper: 0.125 Watts
- Audio Taper: 0.6 Watts

MOUSER STOCK NO.		Fig.	Value (Ω)
Linear	Audio		
31JN301-F	31JA301-F	A	1K
31JN302-F	31JA302-F	A	2K
31JN305-F	31JA305-F	A	5K
31JN401-F	31JA401-F	A	10K
31JN405-F	31JA405-F	A	50K
31JN501-F	31JA501-F	A	100K
31JN505-F	31JA505-F	A	500K
31JN601-F	31JA601-F	A	1MEG

### Linear Taper

0.125 Watts; Shaft (L): .33"

For quantities of 1000 and up, call for quote.

MOUSER STOCK NO.	Fig.	Description	Value (Ω)	Price Each			
				1	10	100	500
313-1000F-Value	A	---	1K, 2K, 5K, 10K, 25K, 50K, 100K, 250K, 500K, & 1M	1.38	1.15	1.06	.97
313-2000F-Value	A	Center Detent	1K, 2K, 5K, 10K, 25K, 50K, 100K, 250K, 500K, & 1M	1.68	1.39	1.27	1.15
313-3000F-Value	A	11 detent positions	1K, 2K, 5K, 10K, 25K, 50K, 100K, 250K, 500K, & 1M	1.97	1.69	1.54	1.39
313-1100F-Value	B	With SPST switch	1K, 5K, 10K, 50K, 100K, 500K, & 1M	2.37	1.97	1.79	1.63
313-1600F-Value	C	With DPDT switch	1K, 10K, 50K, & 100K	4.14	3.45	3.14	2.85
313-1601F-Value	D	With DPDT switch	1K, 5K, 10K, 50K, 100K, 250K, & 500K	4.14	3.45	3.14	2.85

### Audio Taper

0.6 Watts; Shaft (L): .33"

For quantities of 1000 and up, call for quote.

313-1500F-Value	E	Screwdriver Shaft, Solder Lug	1K, 2K, 5K, 10K, 25K, 50K, 100K, 250K, 500K, & 1M	1.50	1.27	1.09	1.00
313-1510F-Value	F	Screwdriver Shaft, PC Mount	1K, 2K, 5K, 10K, 25K, 50K, 100K, 250K, 500K, & 1M	1.50	1.27	1.09	1.00
313-1520F-Value	G	Knurled Shaft, Solder Lugs	1K, 2K, 5K, 10K, 25K, 50K, 100K, 250K, 500K, & 1M	1.50	1.27	1.09	1.00
313-1530F-Value	H	Knurled Shaft, PC Mount	1K, 2K, 5K, 10K, 25K, 50K, 100K, 250K, 500K, & 1M	1.50	1.27	1.09	1.00
313-4000F-Value	A	Round Shaft, Solder Lugs, 11 Detents	10K, 50K, 100K, & 1M	1.97	1.69	1.54	1.39

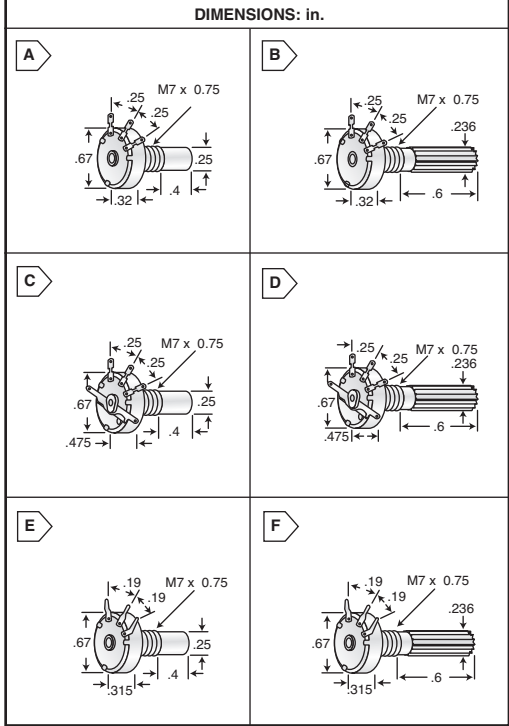
Price Each			
1	10	100	500
1.38	1.15	1.04	.85

### Reverse Audio Taper

0.6 Watts; Shaft (L): .33"

For quantities of 1000 and up, call for quote.

313-1540F-Value	F	Screwdriver Shaft, PC Mount	1K, 2K, 5K, 10K, 25K, 50K, 100K, 250K, 500K, 1M	1.50	1.27	1.09	1.00
313-1550F-Value	H	Knurled Shaft, PC Mount	1K, 2K, 5K, 10K, 25K, 50K, 100K, 250K, 500K, 1M	1.50	1.27	1.09	1.00



## ALPHA 17MM MINIATURE CARBON COMPOSITION

Potentiometers have aluminum shafts, bushings, body is plated steel with bakelite rear plate. Contacts and terminals are silver plated brass. Each is supplied with one hex nut and one flat washer. Tolerance: ±20%

RoHS Compliant

### Linear Taper

Rated: 0.1W For quantities of 1000 and up, call for quote.

MOUSER STOCK NO.	Fig.	Value (Ω)	Price Each			
			1	10	100	500
31CN205-F	A	500	1.14	.95	.89	.81
31CN301-F	A	1K	1.14	.95	.89	.81
31CN302-F	A	2K	1.14	.95	.89	.81
31CN305-F	A	5K	1.14	.95	.89	.81
31CN401-F	A	10K	1.14	.95	.89	.81
31CN405-F	A	50K	1.14	.95	.89	.81
31CN501-F	A	100K	1.14	.95	.89	.81
31CN505-F	A	500K	1.14	.95	.89	.81
31CN601-F	A	1 MEG	1.14	.95	.89	.81
31CN602-F	A	2 MEG	1.14	.95	.89	.81
31CR205-F	B	500	1.14	.95	.89	.81
31CR301-F	B	1K	1.14	.95	.89	.81
31CR305-F	B	5K	1.14	.95	.89	.81
31CR401-F	B	10K	1.14	.95	.89	.81
31CR405-F	B	50K	1.14	.95	.89	.81
31CR501-F	B	100K	1.14	.95	.89	.81
31CR505-F	B	500K	1.14	.95	.89	.81

### Audio Taper with Switch

Rated: .05W For quantities of 1000 and up, call for quote.

MOUSER STOCK NO.	Fig.	Value (Ω)	Price Each			
			1	10	100	500
31CC301-F	C	1K	1.48	1.18	.96	.82
31CC401-F	C	10K	1.48	1.18	.96	.82
31CC501-F	C	100K	1.48	1.18	.96	.82
31CB301F	D	1K	1.48	1.18	.96	.82
31CB305F	D	5K	1.48	1.18	.96	.82
31CB401F	D	10K	1.48	1.18	.96	.82
31CB501F	D	100K	1.48	1.18	.96	.82

### Linear Taper with Switch

Rated: 0.1W For quantities of 1000 and up, call for quote.

MOUSER STOCK NO.	Fig.	Value (Ω)	Price Each			
			1	10	100	500
31CQ301-F	C	1K	1.48	1.18	.96	.82
31CQ305-F	C	5K	1.48	1.18	.96	.82
31CQ401-F	C	10K	1.48	1.18	.96	.82
31CQ405-F	C	50K	1.48	1.18	.96	.82
31CQ501-F	C	100K	1.48	1.18	.96	.82
31CQ505-F	C	500K	1.48	1.18	.96	.82
31CQ601-F	C	1 MEG	1.48	1.18	.96	.82

### Linear Taper PC Mount

Rated: 0.1W For quantities of 1000 and up, call for quote.

MOUSER STOCK NO.	Fig.	Value (Ω)	Price Each			
			1	10	100	500
31CW205F	E	500	1.14	.95	.89	.81
31CW301F	E	1K	1.14	.95	.89	.81
31CW305F	E	5K	1.14	.95	.89	.81
31CW401F	E	10K	1.14	.95	.89	.81
31CW405F	E	50K	1.14	.95	.89	.81
31CW501F	E	100K	1.14	.95	.89	.81
31CW505F	E	500K	1.14	.95	.89	.81
31CW601F	E	1 MEG	1.14	.95	.89	.81
31CA205F	F	500	1.14	.95	.89	.81
31CA301F	F	1K	1.14	.95	.89	.81
31CA305F	F	5K	1.14	.95	.89	.81
31CA401F	F	10K	1.14	.95	.89	.81
31CA405F	F	50K	1.14	.95	.89	.81
31CA501F	F	100K	1.14	.95	.89	.81

