

# KYCON DC Power Connectors

RoHS Compliant This product is RoHS compliant.



## STANDARD DC POWER JACKS (2.0MM AND 2.5MM)

- Built in DC On/Off Switch
- Screw machine contact center pin
- Housing: PBT Thermoplastic, UL94V-0 Rated
- Color: Black

- RoHS Compliance per Kycon Documentation
- Rated Current: 3.5 Amps
- Durability: 5000 Cycles
- Operating Temperature: -25°C to +85°C
- Rated Voltage: 24VDC (excluding Vertical SMT Jacks)



\* Vertical SMT Jacks: 16VDC rated voltage

\*\* High Temperature Thermoplastic UL94V-0 Rated

For quantities of 1,000 and up, call for quote.

MOUSER STOCK NO.	Kycon Part No.	Fig.	Inner Pin (mm)	Price Each			
				1	25	100	500
<b>Right Angle PCB Jacks</b>							
806-KLDX-0202-A	KLDX-0202-A	A	2.0	.40	.37	.27	.20
806-KLDX-0202-B	KLDX-0202-B	A	2.5	.42	.40	.29	.22
<b>Right Angle PCB Jacks - 1 and 2 Pins Crimped</b>							
806-KLDX-0202-AC	KLDX-0202-AC	A	2.0	.46	.44	.32	.24
806-KLDX-0202-BC	KLDX-0202-BC	A	2.5	.46	.44	.32	.25
<b>Right Angle High Temperature PCB Jacks</b>							
**806-KLDX-0202-AHT	KLDX-0202-AHT	A	2.0	.88	.85	.79	.59
**806-KLDX-0202-BHT	KLDX-0202-BHT	A	2.5	.88	.85	.70	.59
<b>Vertical PCB Jacks</b>							
806-KLDVX-0202-A	KLDVX-0202-A	B	2.0	.57	.55	.46	.33
806-KLDVX-0202-B	KLDVX-0202-B	B	2.5	.69	.63	.46	.33
<b>Vertical High Temperature SMT Jacks</b>							
*806-KLDVX-SMT02ATR	KLDVX-SMT-02-ATR	C	2.0	1.29	1.06	.78	.75
*806-KLDVX-SMT02BTR	KLDVX-SMT-02-BTR	C	2.5	1.29	1.06	.78	.75
<b>Right Angle High Temperature Hybrid SMT Jacks - without Center Peg</b>							
**806-KLDX-SMT-0202A	KLDX-SMT-0202-A	D	2.0	1.11	1.10	.80	.64
**806-KLDX-SMT-0202B	KLDX-SMT-0202-B	D	2.5	1.07	1.06	.77	.62
<b>Right Angle High Temperature Hybrid SMT Jacks - with Center Peg</b>							
**806-KLDX-SMT0202AP	KLDX-SMT-0202-AP	D	2.0	1.07	1.05	.77	.61
**806-KLDX-SMT0202BP	KLDX-SMT-0202-BP	D	2.5	1.12	1.10	.80	.64
<b>Right Angle High Temperature SMT Jacks</b>							
**806-KLDX-SMT20202A	KLDX-SMT2-0202-A	E	2.0	1.15	1.14	.83	.67
**806-KLDX-SMT20202B	KLDX-SMT2-0202-B	E	2.5	1.15	1.14	.83	.67
<b>Panel Mount Jacks - Solder Eyelets</b>							
806-KLDPX-0207-A	KLDPX-0207-A	F	2.0	.77	.73	.54	.43
806-KLDPX-0207-B	KLDPX-0207-B	F	2.5	.76	.74	.54	.42

## MINI DC POWER JACKS (1.0MM AND 1.3MM)

- Built in DC On/Off Switch
- Screw machine contact center pin
- Housing: PBT Thermoplastic, UL94V-0 Rated
- Color: Black

- RoHS Compliance per Kycon Documentation
- Rated Current: 2.5 Amps
- Durability: 5000 Cycles
- Operating Temperature: -25°C to +85°C
- Rated Voltage: 24VDC



\*\* High Temperature Thermoplastic UL94V-0 Rated

For quantities of 1,000 and up, call for quote.

MOUSER STOCK NO.	Kycon Part No.	Fig.	Inner Pin (mm)	Price Each			
				1	25	100	500
<b>Right Angle PCB Jacks- Open Frame</b>							
806-KLDX-0101-A	KLDX-0101-A	G	1.0	.66	.54	.39	.38
806-KLDX-0101-B	KLDX-0101-B	G	1.3	.65	.56	.41	.38
<b>Right Angle PCB Jacks</b>							
806-KLDX-0201-A	KLDX-0201-A	H	1.0	.64	.55	.40	.37
806-KLDX-0201-B	KLDX-0201-B	H	1.3	.70	.61	.47	.37
<b>Right Angle PCB Jacks - 1 and 2 Pins Crimped</b>							
806-KLDX-0201-AC	KLDX-0201-AC	H	1.0	.49	.43	.38	.35
806-KLDX-0201-BC	KLDX-0201-BC	H	1.3	.63	.52	.42	.33
<b>Right Angle High Temperature PCB Jacks</b>							
**806-KLDX-0201-AHT	KLDX-0201-AHT	H	1.0	.75	.67	.60	.55
**806-KLDX-0201-BHT	KLDX-0201-BHT	H	1.3	.98	.82	.56	.51
<b>Right Angle High Temperature SMT Jacks</b>							
**806-KLDX-SMT0201LA	KLDX-SMT-0201L-A	I	1.0	1.08	.95	.85	.77
**806-KLDX-SMT0201LB	KLDX-SMT-0201L-B	I	1.3	1.50	1.34	.98	.86

## SNAP AND LOCK DC POWER CONNECTORS

- RoHS Compliance per Kycon Documentation
- Snap lock features prevents accidental disconnections
- 3 Position Contact Rating: Pin 1 & Pin 2: 20VDC at 7.5A max.; Pin 3: 20VDC at 1.0A max.
- 4 Position Contact Rating: 20VDC at 7.5A max. for all pins
- Color: Black



For quantities of 1,000 and up, call for quote.

MOUSER STOCK NO.	Kycon Part No.	Fig.	No. of Contacts	Price Each			
				1	25	100	500
<b>Right Angle PCB Jacks</b>							
806-KPJX-3S	KPJX-3S	J	3	1.81	1.70	1.24	1.04
806-KPJX-4S	KPJX-4S	J	4	2.66	2.59	1.48	1.14
<b>Panel Mount</b>							
806-KPJX-PM-3S	KPJX-PM-3S	K	3	1.94	1.83	1.59	1.48
806-KPJX-PM-4S	KPJX-PM-4S	K	4	2.14	2.01	1.74	1.62
806-KPJX-PM-4S-S	KPJX-PM-4S-S	K	4	6.56	5.79	4.17	3.33
<b>Right Angle PCB Shielded Jacks</b>							
806-KPJX-3S-S	KPJX-3S-S	J	3	2.66	2.59	1.41	1.12
806-KPJX-4S-S	KPJX-4S-S	J	4	2.89	2.82	1.59	1.23
<b>Cable Mount Plugs</b>							
806-KPPX-3P	KPPX-3P	L	3	3.36	3.11	2.28	1.92
806-KPPX-4P	KPPX-4P	L	4	3.87	2.61	2.12	1.89
<b>Cable Mount Socket</b>							
806-KPJX-CM-3S	KPJX-CM-3S	M	3	4.52	4.02	3.62	3.29
806-KPJX-CM-4S	KPJX-CM-4S	M	4	4.75	4.18	3.75	3.40

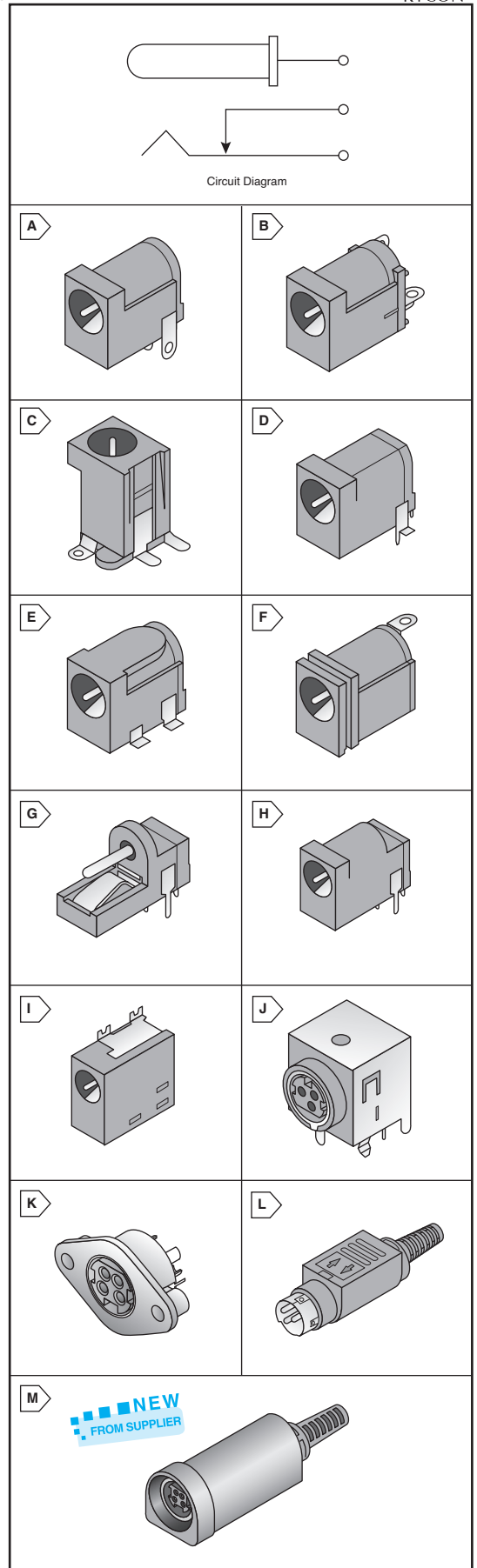
© Copyright 2009 Mouser Electronics

[www.mouser.com/kycon](http://www.mouser.com/kycon)



(800) 346-6873

1135



DC Power Connectors  
Kycon

© Copyright 2009 Mouser Electronics